

| MAT'L: NYLON 6 (RMS-52) PART NO. | MAT'L: NYLON 6 UL94 V-0 (RMS-103) PART NO. | HOLE DIA. "G" | THICKNESS "F" | "A" ±.012 (±0.3) | "B" ±.008 (±0.2) | "C" ±.012 (±0.3) | "D" | "E" ±.012 (±0.3) | FIG. NO. |
|---|---|------------------------|---------------------|------------------------|------------------------|------------------------|------------|------------------------|----------|
| SRH-3035 | SRHVO-3035 | .122-.126 (3.1-3.2) | .039-.079 (1.0-2.0) | .252 (6.4) | .039 (1.0) | .14 (3.5) | .118 (3.0) | .26 (6.5) | 1 |
| SRH-3045 | SRHVO-3045 | | .079-.118 (2.0-3.0) | | | .18 (4.5) | | | |
| SRH-3055 | SRHVO-3055 | | .118-.157 (3.0-4.0) | | | .22 (5.5) | | | |
| SRH-3065 | SRHVO-3065 | | .157-.197 (4.0-5.0) | .236 (6.0) | | .26 (6.5) | | .39 (10.0) | |
| SRH-3080 | SRHVO-3080 | | .197-.256 (5.0-6.5) | .252 (6.4) | | .31 (8.0) | | | |
| SRH-3090 | SRHVO-3090 | | .256-.295 (6.5-7.5) | .252 (6.4) | | .35 (9.0) | | | |
| SRH-3100 | SRHVO-3100 | | .295-.335 (7.5-8.5) | .252 (6.4) | | .39 (10.0) | | .039 (1.0) | |
| SRH-3535 | SRHVO-3535 | .039-.079 (1.0-2.0) | .252 (6.4) | .14 (3.5) | | | | | |
| SRH-3545 | SRHVO-3545 | .079-.118 (2.0-3.0) | .252 (6.4) | .18 (4.5) | | | | | |
| SRH-3555 | SRHVO-3555 | .118-.157 (3.0-4.0) | .236 (6.0) | .22 (5.5) | .39 (10.0) | | | | |
| SRH-3560 | SRHVO-3560 | .138-.177 (3.5-4.5) | | .24 (6.0) | | | | | |
| SRH-3570 | SRHVO-3570 | .177-.217 (4.5-5.5) | | .28 (7.0) | | | | | |
| SRH-3580 | SRHVO-3580 | .217-.256 (5.5-6.5) | .236 (6.0) | .31 (8.0) | | | | | |

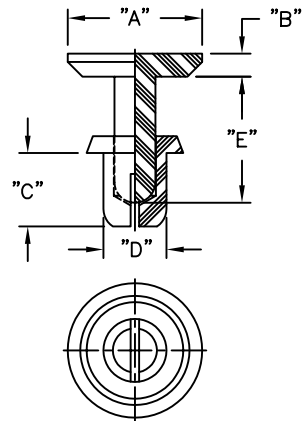


FIG. 1

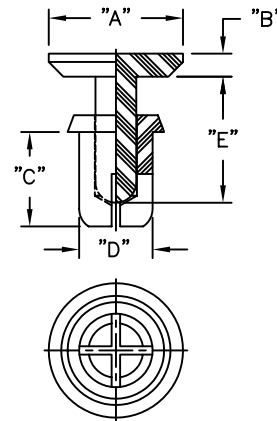
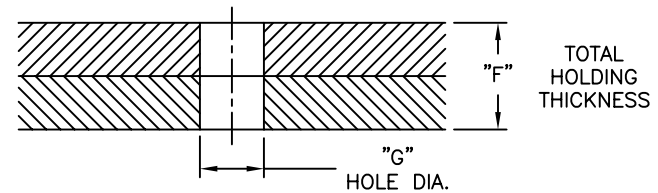


FIG. 2



| | | | | | | | | | |
|-----|--|-------------|---------------------------|-------------------------------|--------------|-------|-----------|----------------|------------|
| E | ADDED SRH-3090, -3100, -3535, -3580, TOLERANCES, COLUMN SRHVO; CHANGED FILE NO. RMS COLUMN REMOVED AND RMS NO. CHANGED | SM 10.31.01 | TITLE: SNAP RIVET, H-TYPE | | | ⊕ | ⊞ | DWG IN IN (MM) | QR |
| D | DIM "A" COLUMN CHANGED | J.L. 2.6.98 | TOLERANCES UNLESS NOTED | FILE # SRH | DWN: P.B. | FINAL | | | |
| C | CHANGED "A" DIM COLUMN (ECN 131) | PB 05.09.95 | .XX=±.010 | MAT'L: SEE NOTES | DT: 08-08-94 | DT: | PART # | | |
| B | RMS NO. ADDED TO TABLE | PB 08.30.94 | .XXX=±.005 | RE: RICHCO, INC. | RICHCO INC. | | SEE TABLE | | PRINT TYPE |
| A | COMPLETE RE-DRAW, ADDED SRH-3545 3555, 3560, 3570 | PB 08.08.94 | FRAC=±1/64 | PO BOX 804238, CHICAGO, 60680 | | | | | CA |
| REV | DESCRIPTION | ENGR DATE | ANG=±1' | (773) 539-4060 | | | | | |